



**SAFEDECISIONS™**

# **Sentinel Electronic Safe**

## **Installation Guide**



**SENTINEL**  
SERIES

by **Elsafe®**

# Table of Contents

- 1. OVERVIEW .....3
- 2. SAFE INSTALLATION .....3
  - 2.1. TOOLS REQUIRED.....3
  - 2.2. SELECTING THE MOUNTING LOCATION.....3
  - 2.3. HARDWARE MOUNTING KIT(S) .....4
  - 2.4. SHELF MOUNT WITH DRY WALL REAR ATTACHMENT .....5
  - 2.5. SHELF MOUNT WITH A WOOD WALL REAR ATTACHMENT .....7
  - 2.6. DIRECT FLOOR MOUNT TO A CONCRETE FLOOR (NOT RECOMMENDED).....9
  - 2.7. DIRECT FLOOR MOUNT TO A QUIKRETE-OVER-PLYWOOD FLOOR (NOT RECOMMENDED).....10
  - 2.8. PEDESTAL MOUNT ON A CONCRETE FLOOR .....11
  - 2.9. PEDESTAL MOUNT ON A QUIKRETE-OVER-PLYWOOD FLOOR.....15
  - 2.10. PEDESTAL MOUNT ON A PLYWOOD FLOOR .....19
  - 2.11. SHELF & BOTTOM DIAGRAM .....23
  - 2.12. REAR WALL DIAGRAM.....24
  - 2.13. TESTING .....24
- 3. SUPPORT .....24

The information found within this guide is subject to change without notice.  
SafeDecisions L.P. assumes no responsibility for any errors that may appear in this guide.  
Copyright © 2004 by SafeDecisions L.P. and Elsafe International AS

## 1. Overview

This guide covers the installation of the SafeDecisions Sentinel Electronic safe in residential and multi-family buildings. The safe is powered by 7.5 volts dc using conventional AA batteries and does not require an electrician to install it in most jurisdictions. If in doubt, consult your local authorities to verify.

The safe is typically mounted to a closet shelf or floor, but can also be mounted to an optional steel pedestal designed for floor mounting. *For added security when a pedestal is used, the safe should also be anchored to the wall behind it.* An installation hardware packet is included to cover most installations, but special installation requirements may require additional mounting hardware which must be supplied by the installer or customer.

## 2. Safe Installation

### 2.1. Tools required

To install the safe, these tools are typically required:

Tools Required	Shelf Mounted	Floor Mounted Concrete	Floor Mounted Wood	Floor Mounted Quikrete	Pedestal Mounted Concrete	Pedestal Mounted Quikrete	Pedestal Mounted Wood
Power Drill	✓	✓	✓		✓	✓	✓
5/64" drill bit (1)	✓	✓	✓	✓	✓	✓	✓
7/64" drill bit	✓						
5/32" drill bit			✓	✓		✓	✓
1/2" concrete bit		✓		✓	✓	✓	
7/16" socket wrench	✓	✓	✓	✓	✓	✓	✓
Hammer		✓			✓		
Philips screwdriver	✓	✓	✓	✓	✓	✓	✓

(1) Only used if wall stud pilot hole required

### 2.2. Selecting the mounting location

1. Choose the mounting location:
  - a. Shelf,
  - b. Floor (not recommended),
  - c. Pedestal. (Note that the pedestal mount requires the pedestal option which must be ordered separately and prior to the installation.)
2. The door must be able to swing open at least 90°. The door hinges on the right side, so the door will open from the left and swing right.
3. If shelf or pedestal mounting is used, the safe (and pedestal if used) must fit snugly against the rear wall, and if possible, one of the two dimple mounting holes in the rear of the safe should be fastened to a 2 x 4 wall stud or similar wall support.

### 2.3. Hardware mounting kit(s)

Locate the safe hardware kit:



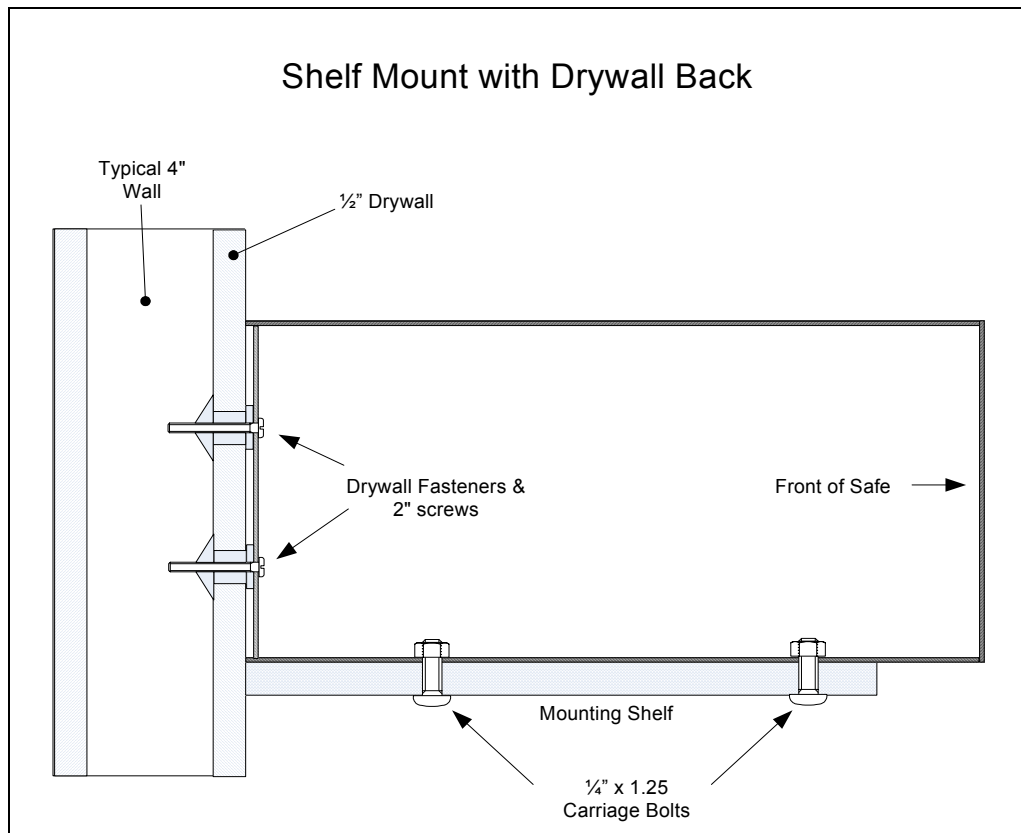
- 4x – 1/4" x 1-1/4" lag screws
- 4x – 1/2" x 1" concrete anchors
- 4x – 1/4" x 1-1/4" carriage bolts
- 4x – 1/4" nuts
- 2x – plastic dry wall anchors
- 2x – #8 x 2" dry wall anchor screws
- 6x – 1/4" flat washers

*If you ordered the pedestal option, you should also have this kit:*



- 4x – 1/4" x 1/2" carriage bolts
- 12x – 5/16" flat washers
- 4x – 1/4" hex nuts

## 2.4. Shelf Mount with Dry Wall rear attachment



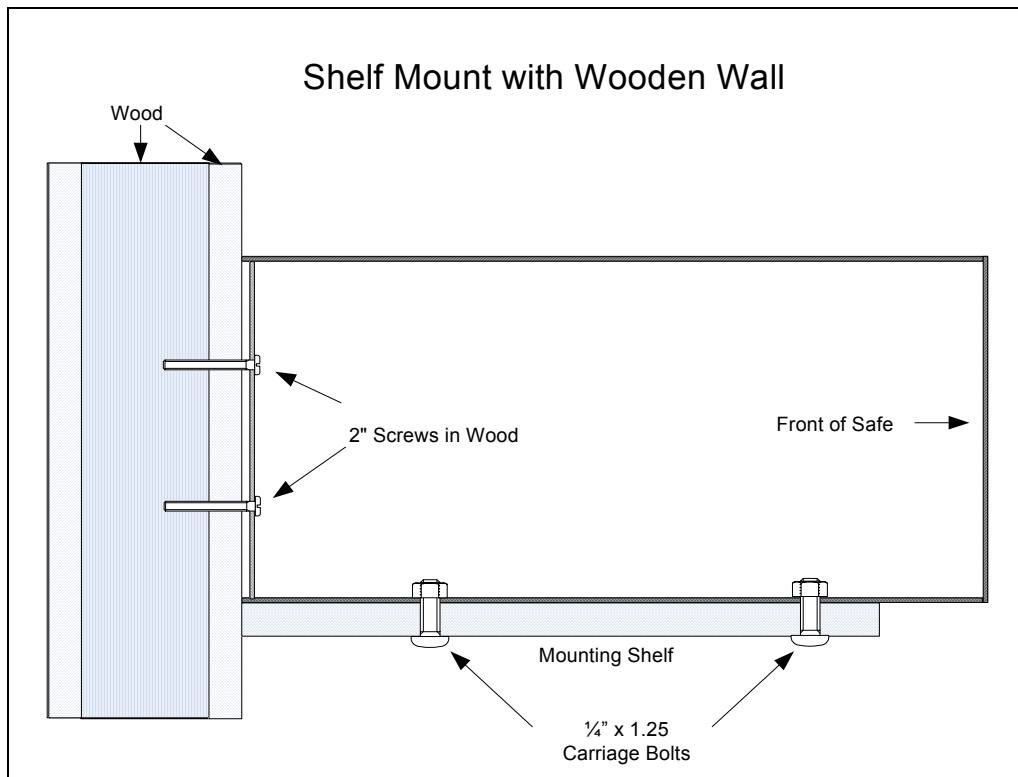
1. Using the installation template supplied, mark the four mounting holes on the shelf and the two mounting holes on the wall behind the safe.
2. Drill the four mounting holes through the shelf using a 9/32" drill bit.
3. Install the dry wall anchors on the rear wall (if possible, attach one of the rear mounting holes to a wall stud, drilling a 5/64" pilot hole).
4. Set the safe in place on the shelf and move it into position. Remove the carpet laying in the bottom of the safe and set aside.
5. Install the four 1/4" x 1-1/4" carriage bolts with the bolt head on the bottom side of the shelf. On the inside of the safe, place one 1/4" flat washer on the protruding bolt thread before threading the 1/4" nut (see Figure 2.4-A). **DO NOT TIGHTEN THE NUTS** at this time!

Figure 2.4-A



6. Install the rear anchor screws, placing one  $\frac{1}{4}$ " flat washer on each screw (#8 x 2" metal screw) and tighten.
7. Tighten the four carriage bolt nuts.
8. Return the safe carpet to the safe.

## 2.5. Shelf Mount with a Wood wall rear attachment



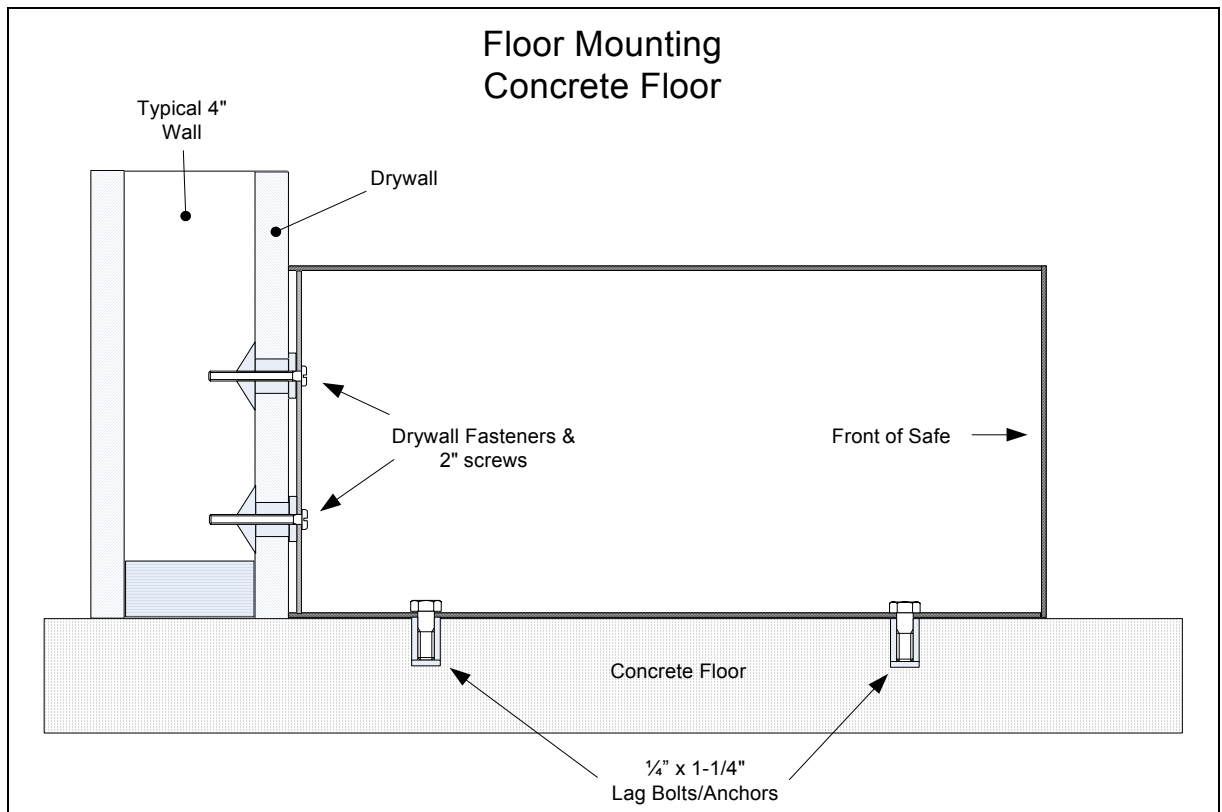
1. Using the installation template supplied, mark the four mounting holes on the shelf and the two mounting holes on the wall behind the safe.
2. Drill the four mounting holes through the shelf using a 9/32" drill bit .
3. Drill 5/64" pilot holes on the rear wall.
4. Set the safe in place on the shelf and move it into position. Remove the carpet laying in the bottom of the safe and set aside.
5. Install the four 1/4" x 1-1/4" carriage bolts with the bolt head on the bottom side of the shelf. On the inside of the safe, place one 1/4" flat washer on the protruding bolt thread before threading the 1/4" nut (see Figure 2.5-A). **DO NOT TIGHTEN THE NUTS** at this time!

Figure 2.5-A



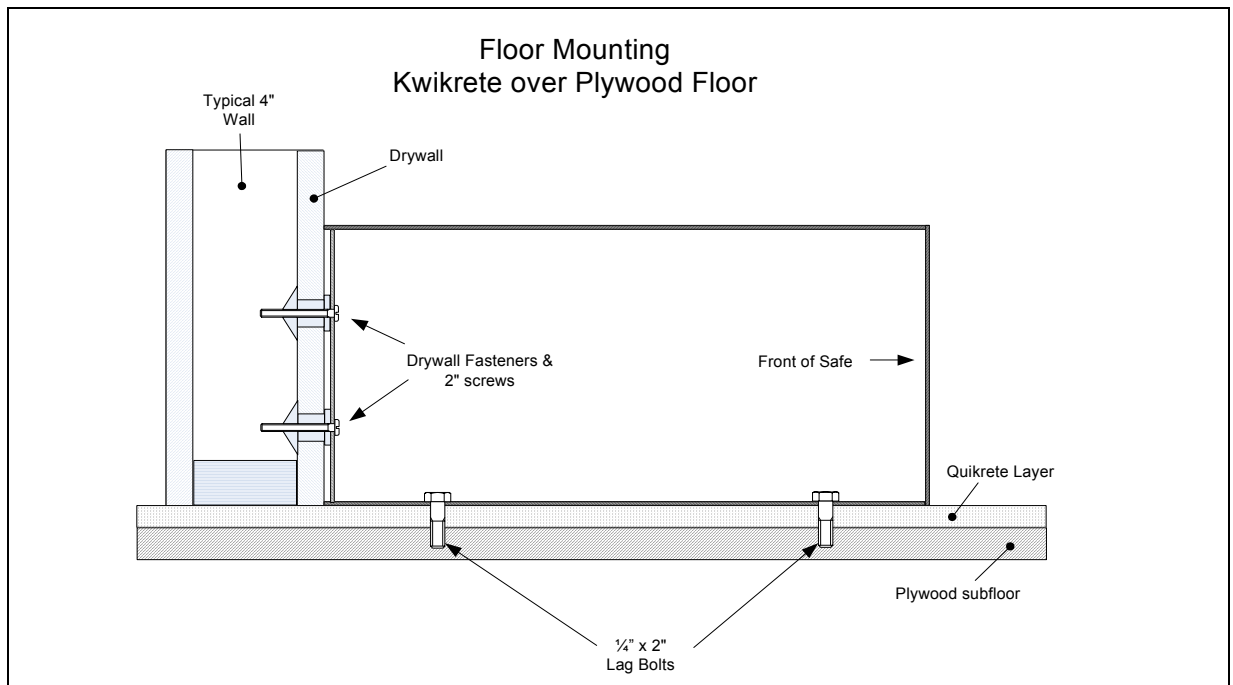
6. Install the #8 x 2" screw from the dry wall anchor, placing one 1/4" flat washer on each screw and tighten. (NOTE: #8 x 1" screws can be substituted if required).
7. Tighten the four carriage bolt nuts.
8. Return the safe carpet to the safe.

## 2.6. Direct floor mount to a Concrete floor (not recommended)



1. Pull back any carpet on the floor and mark the four safe mounting holes using the template supplied (NOTE: The safe can be mounted to the floor directly on top of the existing carpet, but may not be as secure!).
2. Drill the mounting holes with a 1/2" concrete bit. Using a hammer, insert and tap flush the concrete anchors in the four locations.
3. Place the safe into position, install but **DO NOT TIGHTEN** two of the four lag screws on opposite corners to locate the safe into position.
4. Mark the two mounting holes on the rear wall from inside the safe.
5. Remove the safe and install the two rear wall anchors in the dry wall.
6. Place the safe into position and insert all four floor anchor lag screws, using a 1/4" flat washer on each lag screw. **DO NOT TIGHTEN THE LAG SCREWS** at this time.
7. Install the rear anchor screws, placing one 1/4" flat washer on each screw (#8 x 2" metal screw) and tighten.
8. Tighten the floor lag screws.
9. Return the floor carpet into position and cut to fit around the safe when required (NOTE: this step is not required if the safe is mounted on top of the existing carpet).
10. Return the safe carpet to the safe.

## 2.7. Direct floor mount to a Quikrete-over-Plywood floor (not recommended)



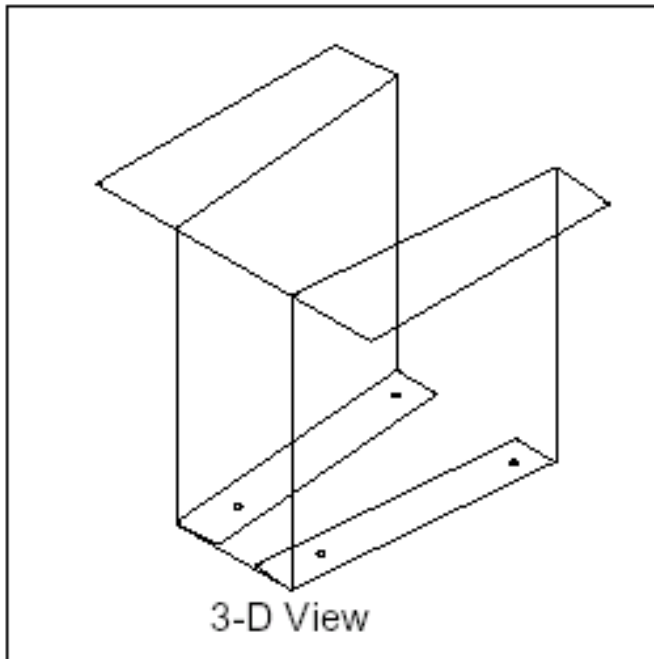
1. Pull back any carpet on the floor and mark the four mounting holes using the template supplied (NOTE: The safe can be mounted to the floor directly on top of the existing carpet, but may not be as secure!).
2. Drill the mounting holes with a 1/2" concrete bit to penetrate the Quikrete. DO NOT DRILL BEYOND THE QUIKRETE.
3. Drill four 5/32" pilot holes in each of the quikrete holes.
4. Place the safe into position, install two of the four lag screws on opposite corners to locate the safe into position. DO NOT TIGHTEN at this time.
5. Mark the two mounting holes on the rear wall from inside the safe.
6. Remove the safe and install the two rear wall anchors in the dry wall.
7. Place the safe into position and insert all four floor anchor lag screws, using a 1/4" flat washer on each lag screw. DO NOT TIGHTEN THE LAG SCREWS at this time.
8. Install the rear anchor screws, placing one 1/4" flat washer on each screw (#8 x 2" metal screw) and tighten.
9. Tighten the floor lag screws.
10. Return the floor carpet into position and cut to fit around the safe when required (NOTE: this step is not required if the safe is mounted on top of the existing carpet).
11. Return the safe carpet to the safe.

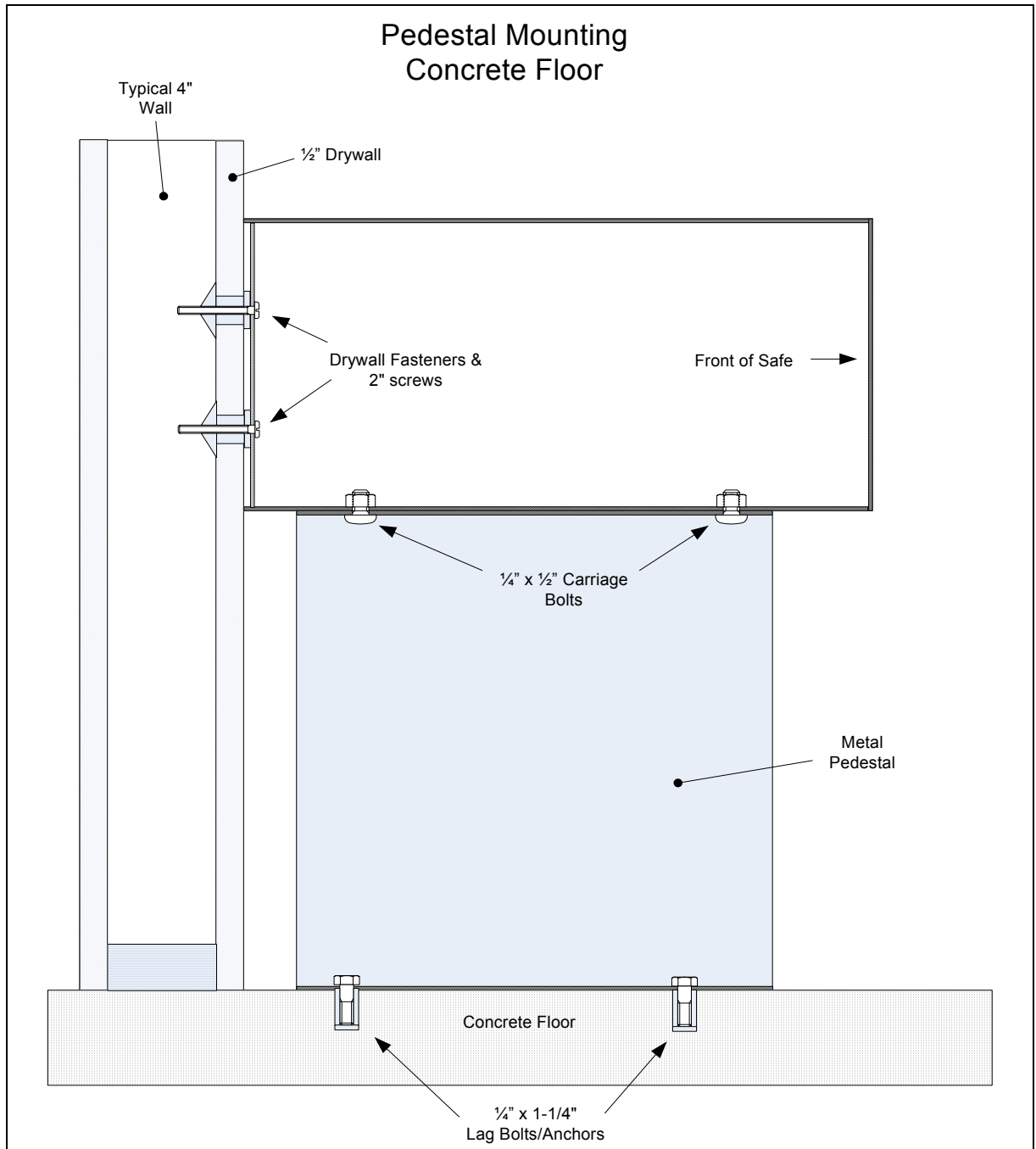
### 2.8. Pedestal mount on a Concrete Floor

The optional pedestal is a steel base used to raise the safe off the floor but in a secure fashion. The pedestal is bolted to the floor, then the safe is bolted to the pedestal:



The pedestal is mounted very near the rear wall (but not against it) so access to the floor mounting bolts is not possible while the safe is attached. The safe is also attached to the rear wall for added security.





1. Pull back any carpet on the floor and mark the four pedestal mounting holes using the template supplied (NOTE: The pedestal can be mounted to the floor directly on top of the existing carpet, but may not be as secure!).
2. Drill the mounting holes with a 1/2" concrete bit. Using a hammer, insert and tap flush the concrete anchors in the four locations.
3. Mount the pedestal to the floor by installing the four lag screws into the concrete anchors. Place one 5/16" flat washer on each lag screw before installing and tightening.

4. Set the safe into position on top of the pedestal. Install on a diagonal, two of the four carriage bolts & nuts between the safe and the pedestal with the carriage head on the bottom side of the safe (up through the pedestal. See Figure 2.8-A). FINGER TIGHTEN ONLY!
5. Mark the two mounting holes on the rear wall from inside the safe.
6. Remove the safe from the pedestal and install the two rear wall anchors in the dry wall.
7. Place the safe into position on top of the pedestal and install all four carriage bolts. Place one 5/16" flat washer on each carriage bolt between the bolt head and the bottom side of the pedestal.

**Figure 2.8-A**



8. Place another 5/16" flat washer on the inside of the safe where the carriage bolt protrudes into the safe (see Figure 2.8-B) . Thread a 1/4" nut on each bolt but **DO NOT TIGHTEN THE NUTS** at this time!

**Figure 2.8-B**



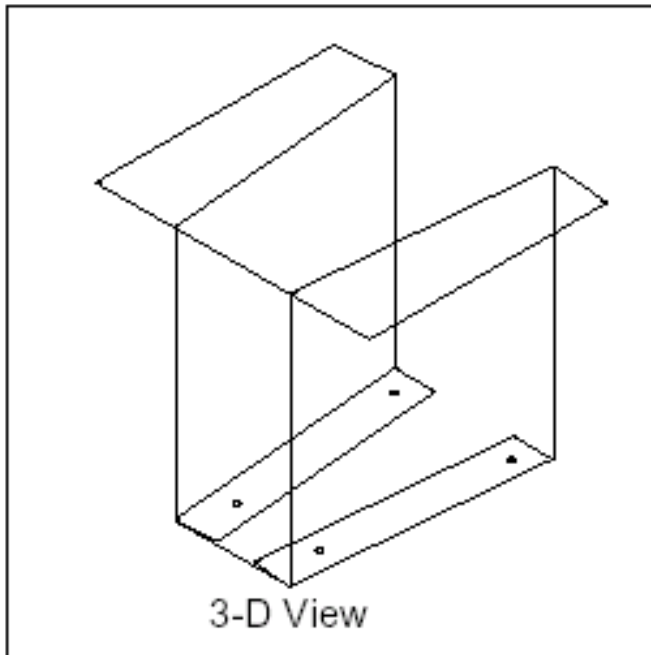
9. Install the rear anchor screws, placing one ¼” flat washer on each screw (#8 x 2” metal screw) and tighten.
10. Tighten the four carriage bolt nuts.
11. Return the floor carpet into position and cut to fit around the safe when required (NOTE: this step is not required if the pedestal is mounted on top of the existing carpet).
12. Return the safe carpet to the safe.

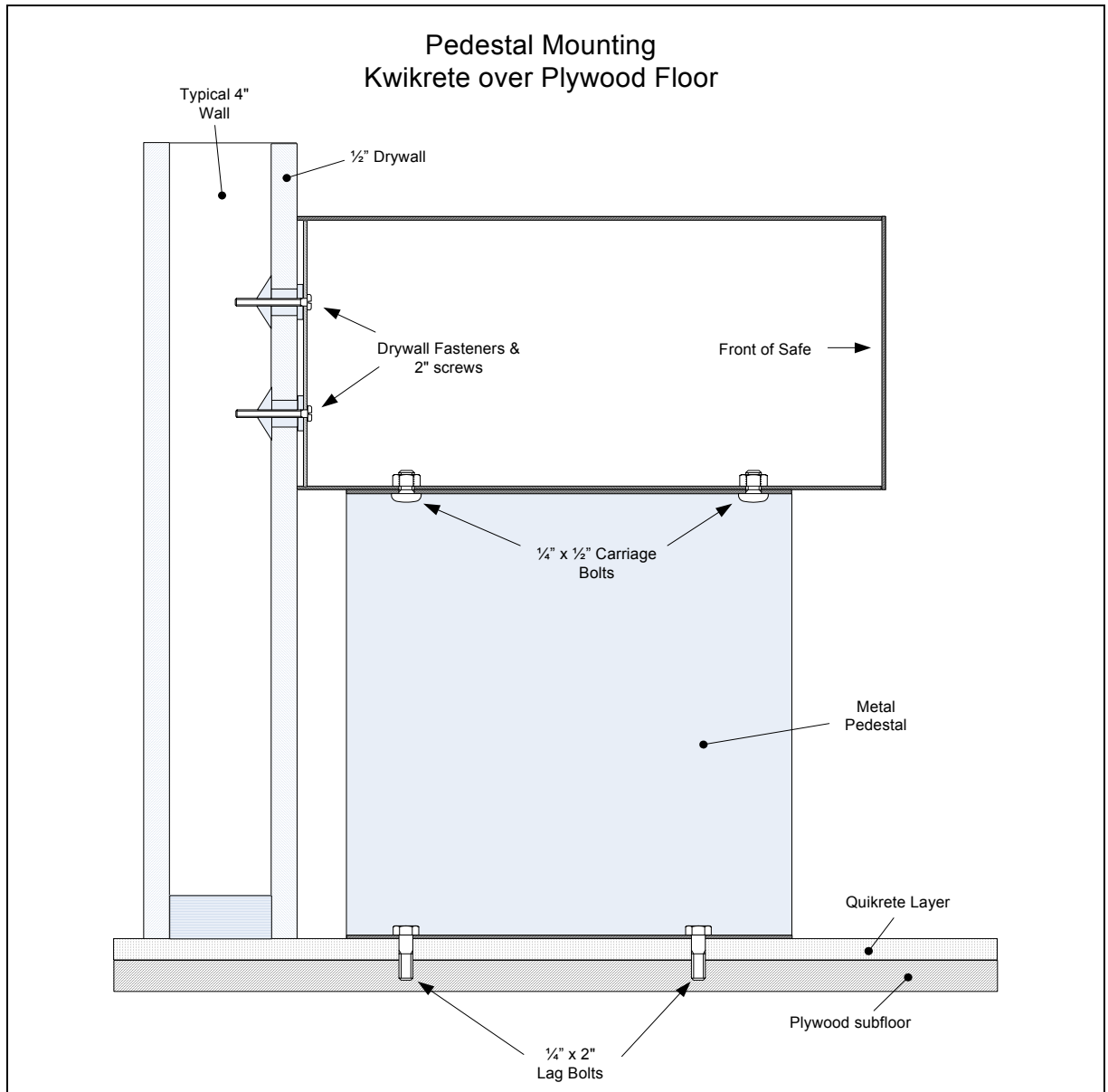
### 2.9. Pedestal mount on a Quikrete-over-Plywood floor

The optional pedestal is a steel base used to raise the safe off the floor but in a secure fashion. The pedestal is bolted to the floor, then the safe is bolted to the pedestal:



The pedestal is mounted very near the rear wall (but not against it) so access to the floor mounting bolts is not possible while the safe is attached. The safe is also attached to the rear wall for added security.





1. Pull back any carpet on the floor and mark the four mounting holes using the template supplied (NOTE: The pedestal can be mounted to the floor directly on top of the existing carpet, but may not be as secure!).
2. Drill the mounting holes with a 1/2" concrete bit to penetrate the Quikrete. **DO NOT DRILL BEYOND THE QUIKRETE.**
3. Drill four 5/32" pilot holes in each of the quikrete holes.
4. Mount the pedestal to the floor by installing the four lag screws into the wooden sub floor. Place one 5/16" flat washer on each lag screw before installing and tightening.
5. Set the safe into position on top of the pedestal. Install on a diagonal, two of the four carriage bolts & nuts between the safe and the pedestal with the carriage head on the bottom side of the safe (up through the pedestal. See Figure 2.9-A). **FINGER TIGHTEN ONLY!**

6. Mark the two mounting holes on the rear wall from inside the safe.
7. Remove the safe from the pedestal and install the two rear wall anchors in the dry wall.
8. Place the safe into position on top of the pedestal and install all four carriage bolts. Place one 5/16" flat washer on each carriage bolt between the bolt head and the bottom side of the pedestal (see Figure 2.9-A).

**Figure 2.9-A**



9. Place another 5/16" flat washer on the inside of the safe where the carriage bolt protrudes into the safe (see Figure 2.9-B). Thread a 1/4" nut on each bolt but **DO NOT TIGHTEN THE NUTS** at this time!

**Figure 2.9-B**



10. Install the rear anchor screws, placing one 1/4" flat washer on each screw (#8 x 2" metal screw) and tighten.

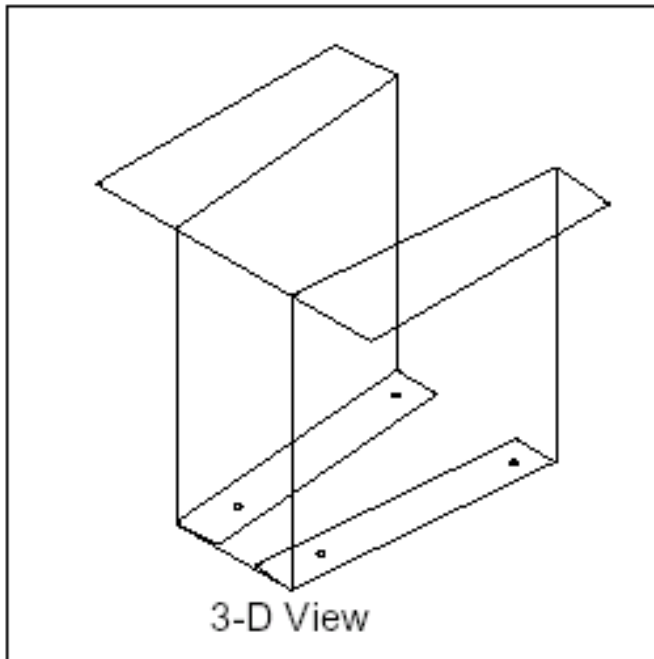
11. Tighten the four carriage bolt nuts.
12. Return the floor carpet into position and cut to fit around the safe when required (NOTE: this step is not required if the pedestal is mounted on top of the existing carpet).
13. Return the safe carpet to the safe.

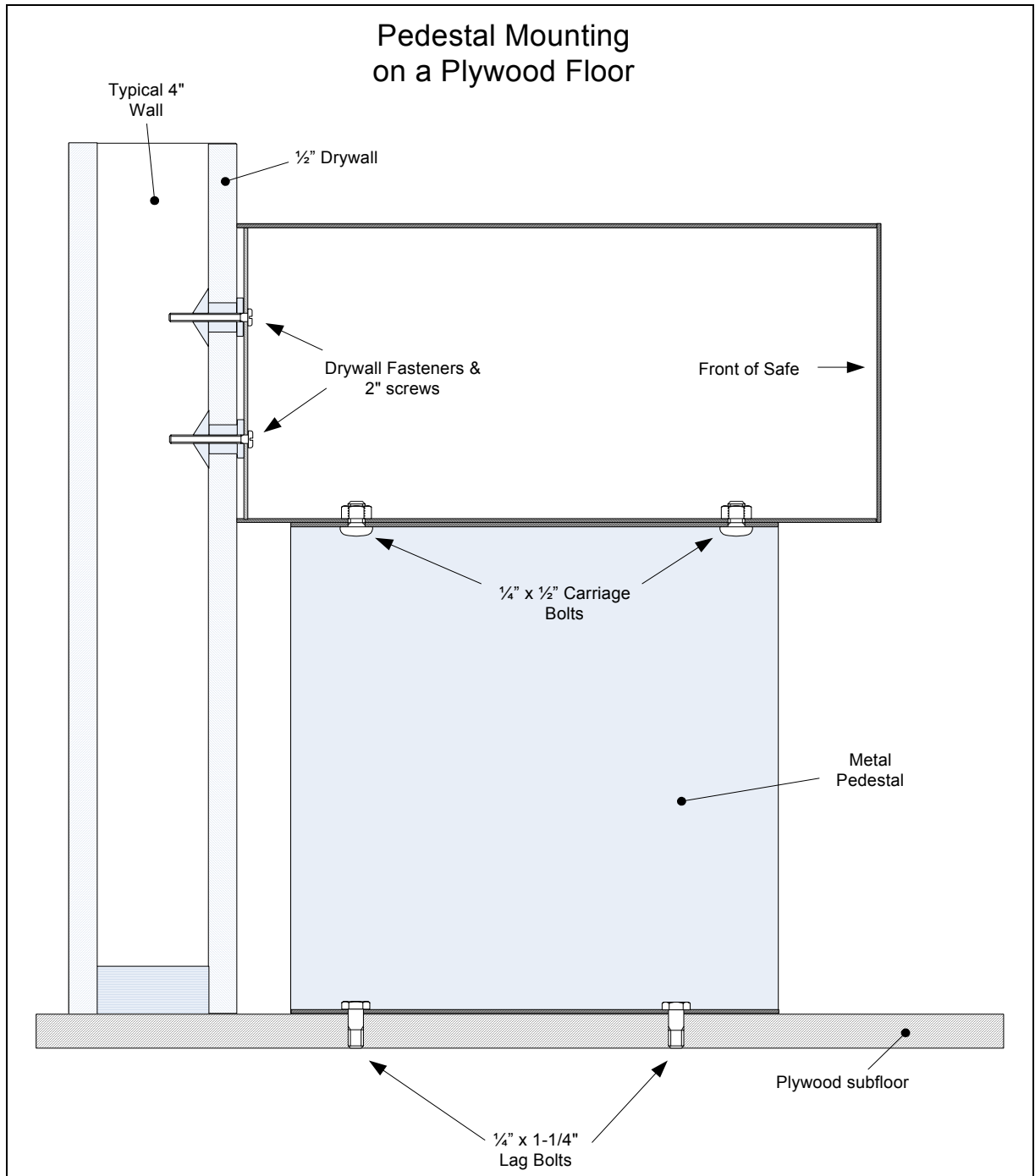
### 2.10. Pedestal mount on a Plywood floor

The optional pedestal is a steel base used to raise the safe off the floor but in a secure fashion. The pedestal is bolted to the floor, then the safe is bolted to the pedestal:



The pedestal is mounted very near the rear wall so access to the floor mounting bolts is not possible while the safe is attached. The safe is also attached to the rear wall for added security.





1. Pull back any carpet on the floor and mark the four mounting holes using the template supplied (NOTE: The pedestal can be mounted to the floor directly on top of the existing carpet, but may not be as secure!).
2. Drill four 5/32" pilot holes.
3. Mount the pedestal to the floor by installing the four lag screws into the wooden sub floor. Place one 5/16" flat washer on each lag screw before installing and tightening.

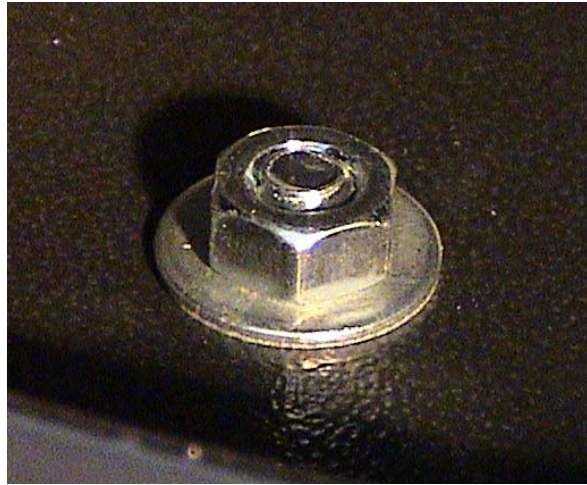
4. Set the safe into position on top of the pedestal. Install on a diagonal, two of the four carriage bolts & nuts between the safe and the pedestal with the carriage head on the bottom side of the safe (up through the pedestal). FINGER TIGHTEN ONLY!
5. Mark the two mounting holes on the rear wall from inside the safe.
6. Remove the safe from the pedestal and install the two rear wall anchors in the dry wall.
7. Place the safe into position on top of the pedestal and install all four carriage bolts. Place one 5/16" flat washer on each carriage bolt between the bolt head and the bottom side of the pedestal (see Figure 2.10-A).

**Figure 2.10-A**



8. Place another 5/16" flat washer on the inside of the safe where the carriage bolt protrudes into the safe (see Figure 2.10-B). Thread a 1/4" nut on each bolt but **DO NOT TIGHTEN THE NUTS** at this time!

Figure 2.10-B

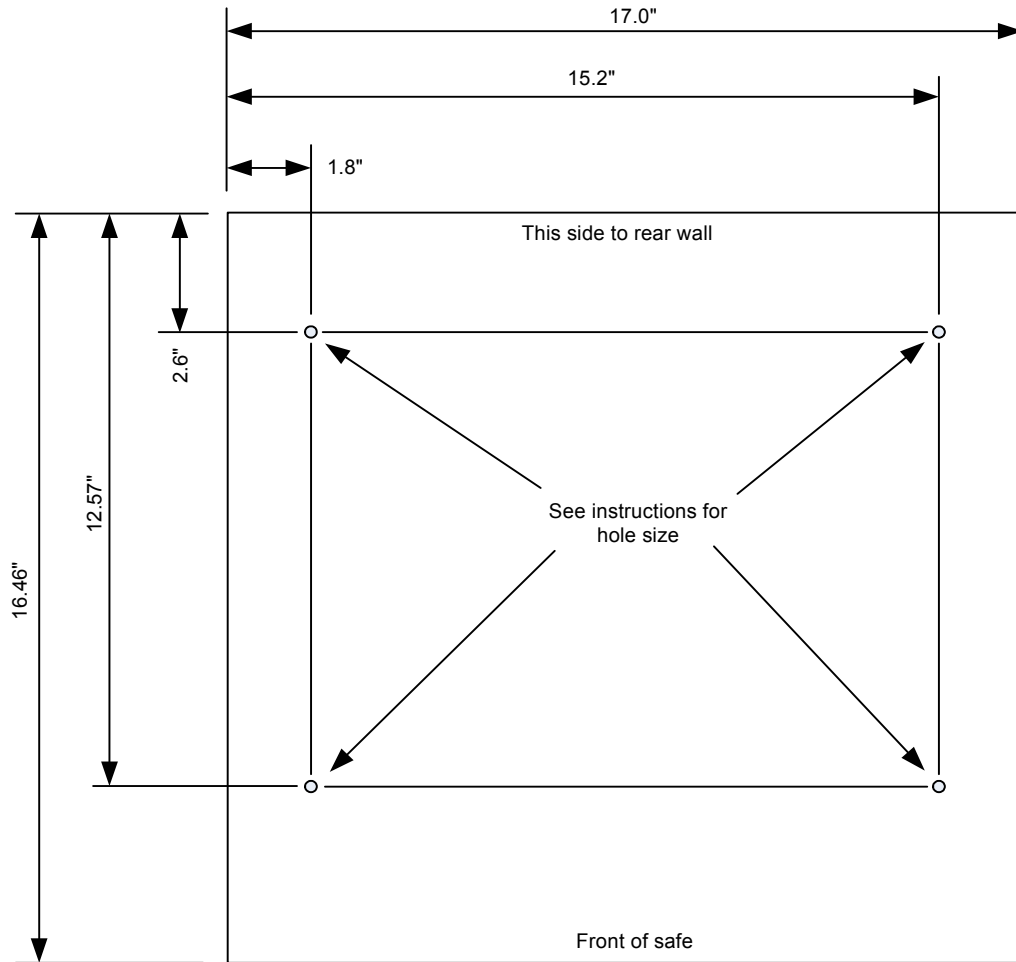


9. Install the rear anchor screws, placing one ¼" flat washer on each screw (#8 x 2" metal screw) and tighten.
10. Tighten the four carriage bolt nuts.
11. Return the floor carpet into position and cut to fit around the safe when required (NOTE: this step is not required if the pedestal is mounted on top of the existing carpet).
12. Return the safe carpet to the safe.

### 2.11. Shelf & Bottom Diagram

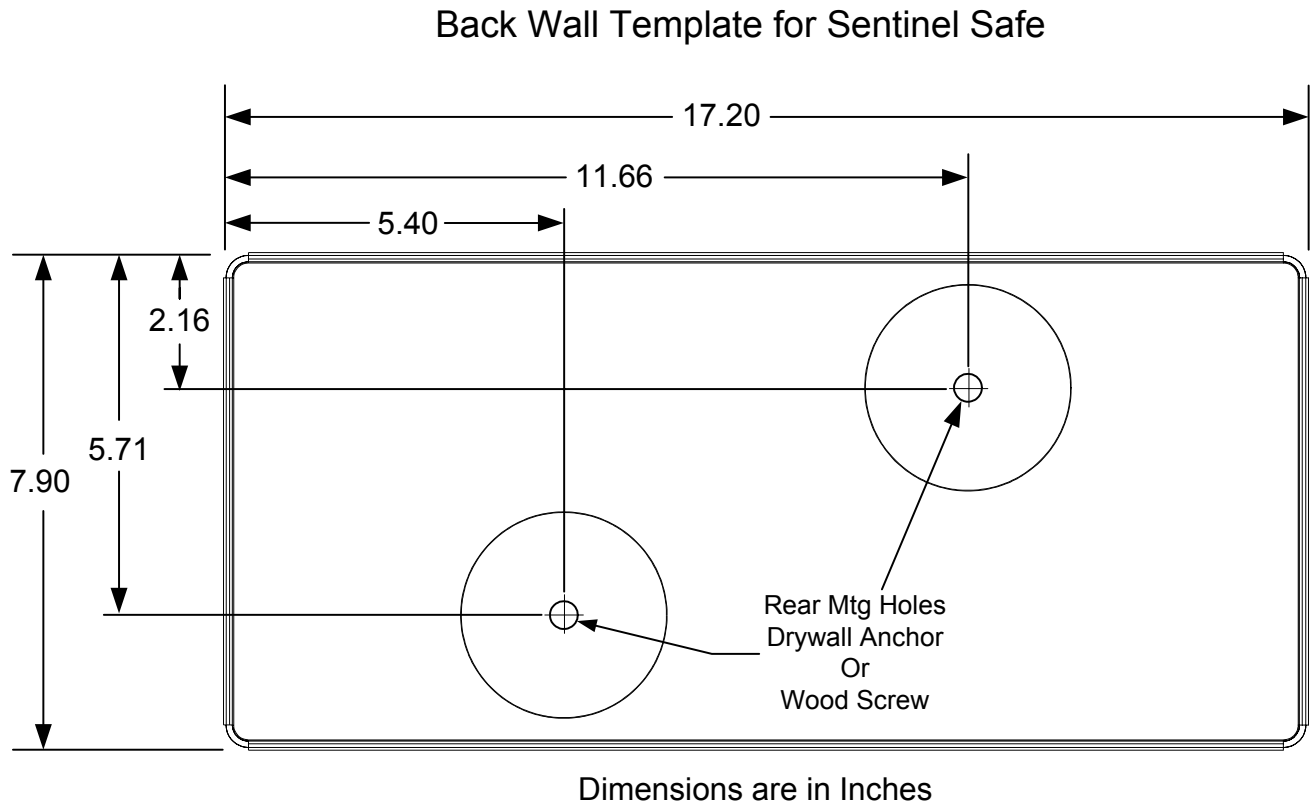
This diagram can be used to measure the mounting holes for the shelf and floor mounting.

#### Sentinel SA-41 Bottom Mounting template



## 2.12. Rear Wall Diagram

This diagram can be used to measure the mounting holes for the rear wall behind the safe.



## 2.13. Testing

1. Close the safe door and enter the code "1234" then press "Lock". The motor should run and lock the door.
2. After the display goes blank, enter "1234". The motor should run and unlock the door.
3. This completes the test.

## 3. Support

For assistance with safe installations or operational questions, contact the SafeDecisions technical support group at:

**(800) 723-3332, option 2**

or

**[www.safedec.com/support.asp](http://www.safedec.com/support.asp)**